

Care Instructions

Pala Console table – designed by Studio Böttger.

To prolong the life of the product and retain its appearance and functionality, we would like to give you some relevant information and care advice:

This product is manufactured using solid and veneered Oak or black Walnut.

Craftsmen manufacture this product and there is variety between each unit. Wood is a natural product so colour and grain variations are inevitable.

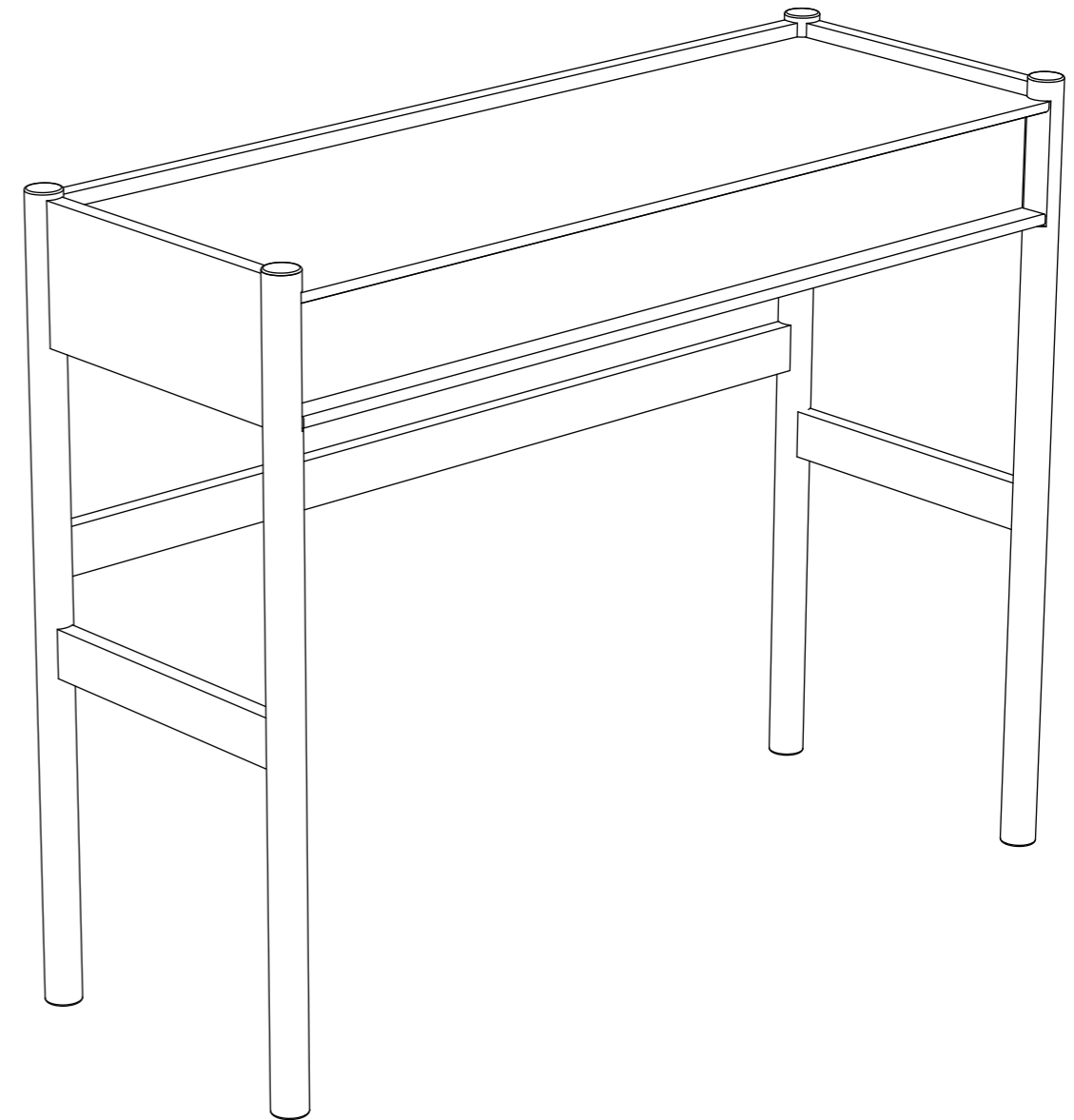
Natural Timber is affected by sunlight; this can cause the wood colour to darken. For this reason (especially if placed in direct sunlight) it is recommended that placing objects for long periods in the same position is avoided. This colour adjustment becomes less relevant as the product ages.

It is recommended that no abrasive cleaners or solvents are used to clean the unit, please only use proprietary furniture polishes or warm water with diluted detergent.

We thank you for purchasing this product and wish you many years of enjoyable and functional use.

For more related products please visit: casefurniture.com

Pala Console Table



case

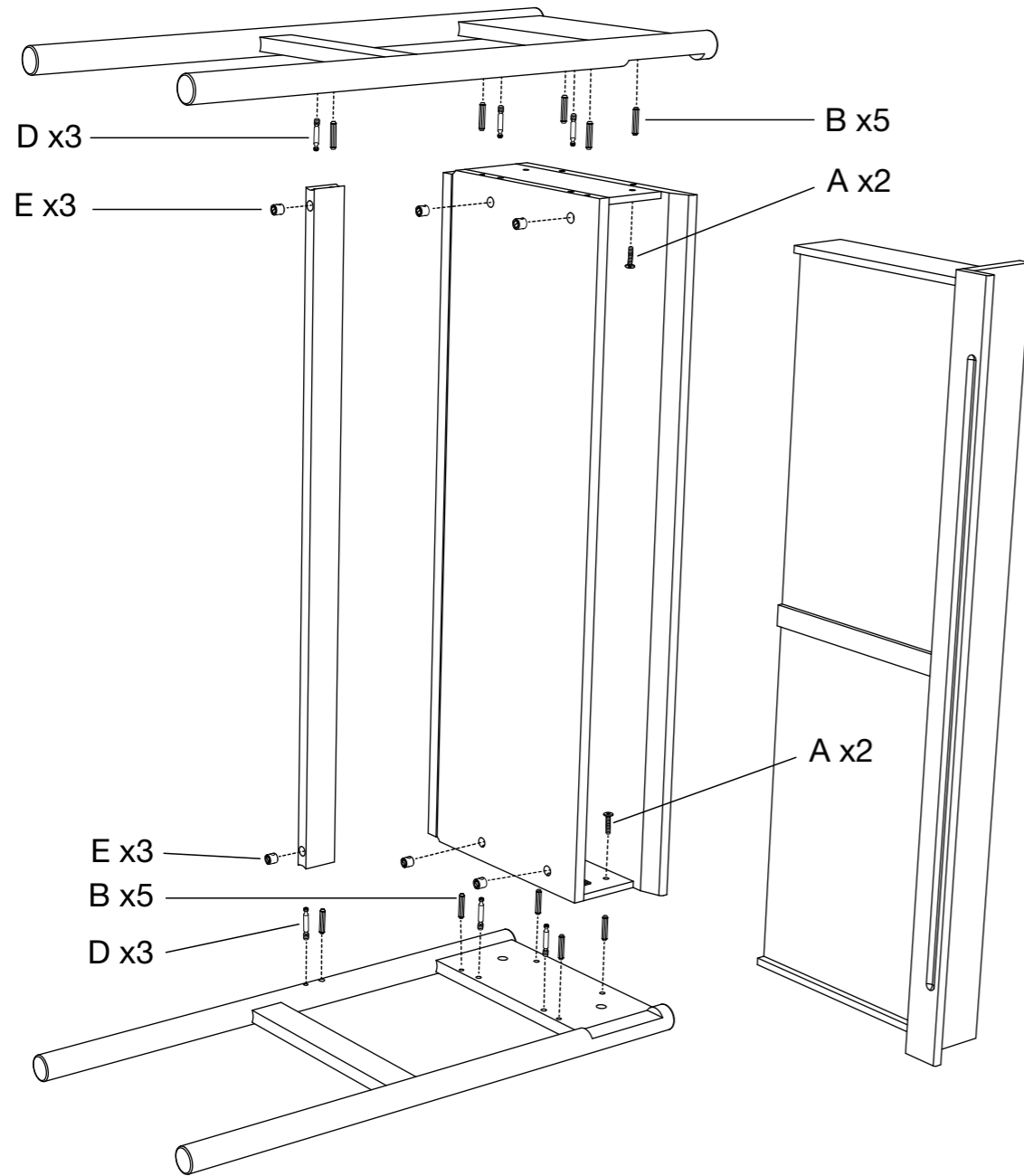
Case Furniture Ltd
London, SW18 2HZ
United Kingdom
info@casefurniture.com
casefurniture.com

case

Assembly Instructions

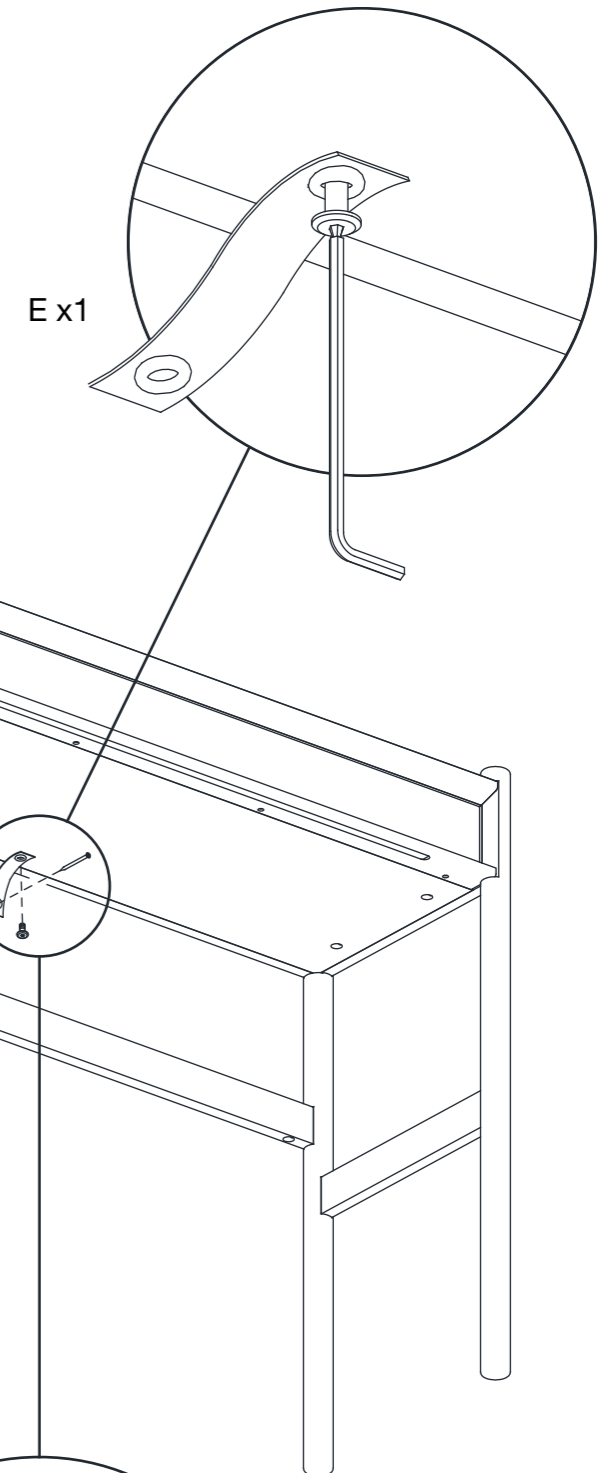
Unpack all components and allow ample room for assembly and turning.
Please remove the drawer before proceeding.

- ① Insert pins (D) into the 3 holes located on the leg frame and secure with a screwdriver. Repeat for both leg frames. Insert 5 dowels (B) into the holes of the leg frame, repeat on the other leg frame. Insert 3 x cam fittings (E) into crossbar and underside of carcass.



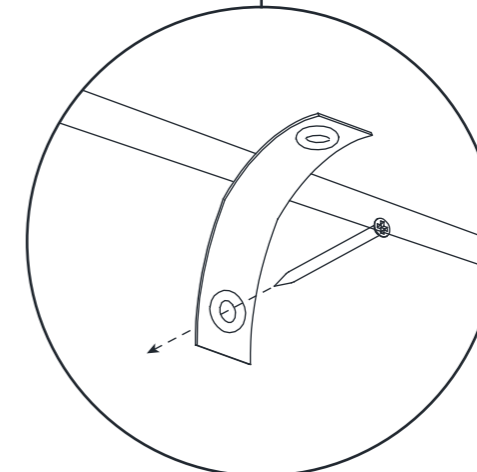
⑥

- To secure the wall tie (if required). Take the wall tie (F) and the bolt (G) and secure one end into the threaded insert in the centre underside of the carcass. Take your desired wall fitting (not supplied) and screw through the other end of the wall tie.

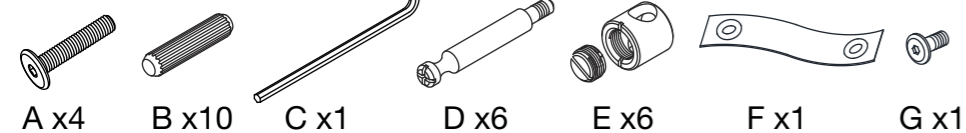


⑦

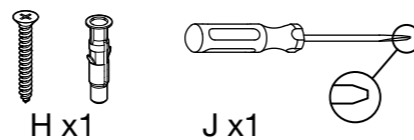
- Take your preferred screw and wall fitting (not supplied) for your wall type and screw through the other end of the wall tie. the desk will now be secured into position.



Provided

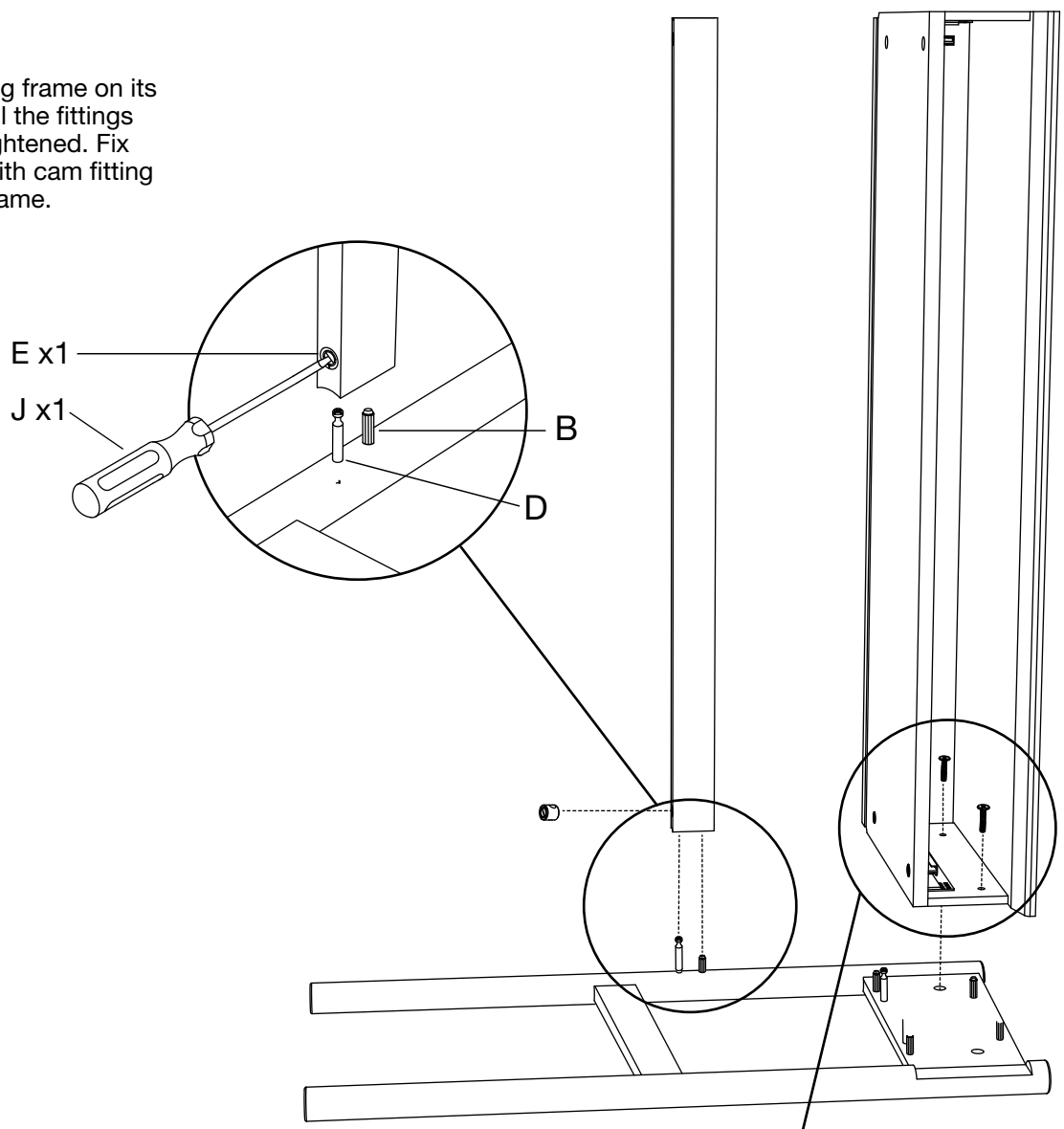


Not provided



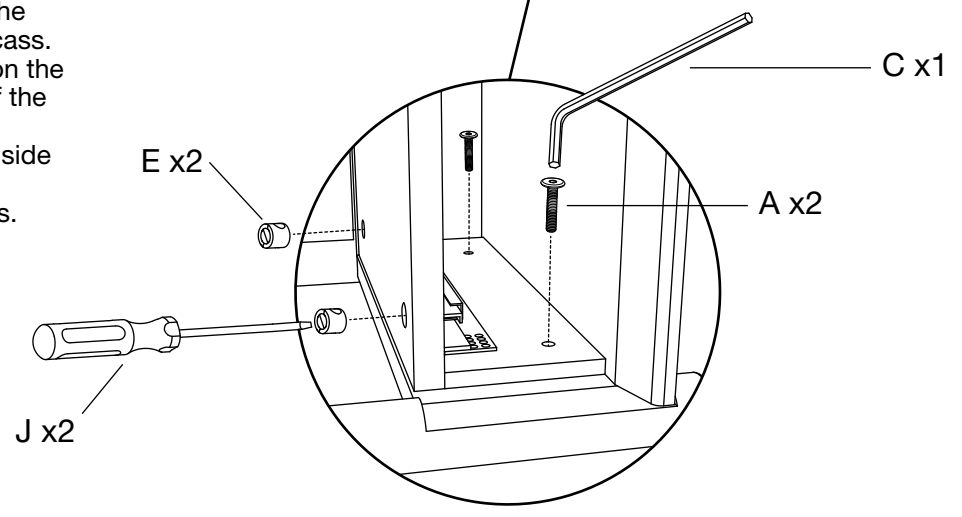
2

With one leg frame on its side with all the fittings securely tightened. Fix crossbar with cam fitting (E) to leg frame.



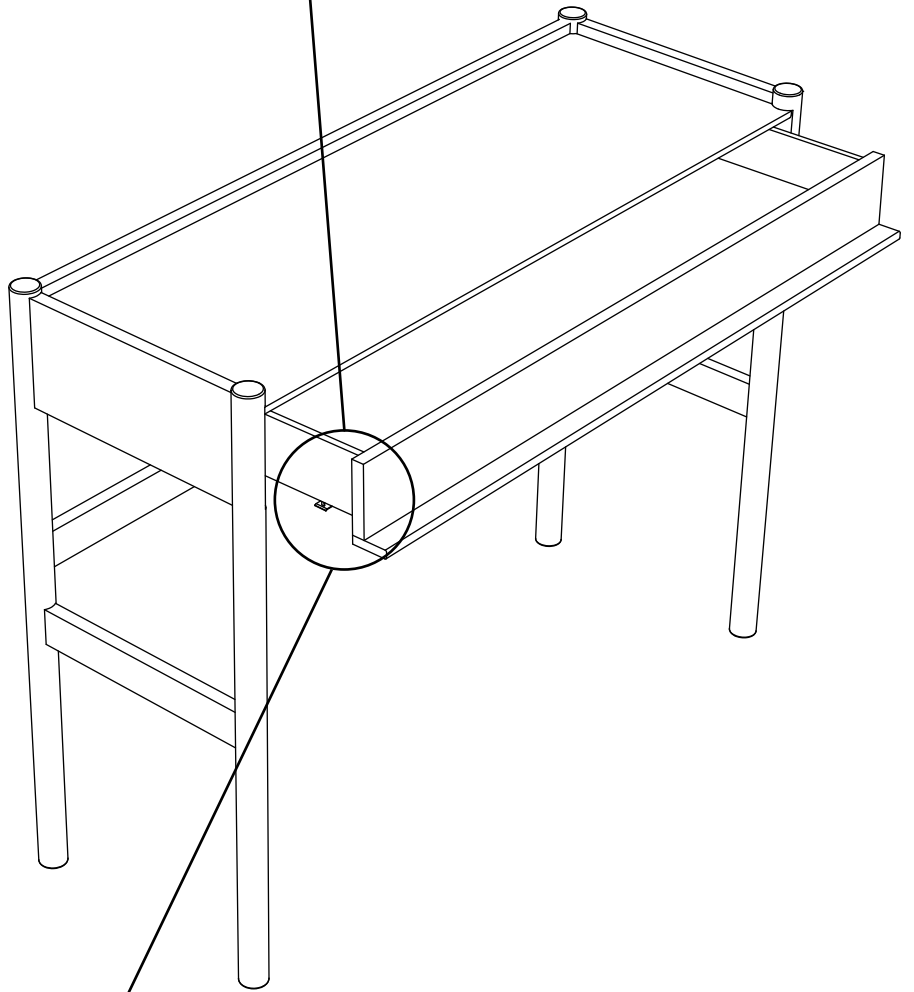
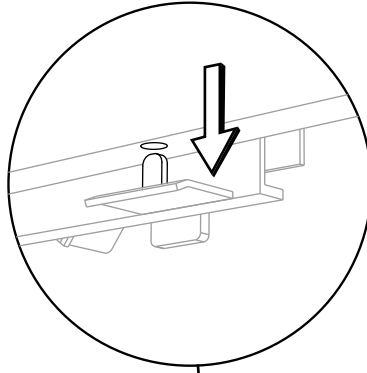
3

Place the 2x cam fittings (E) into the holes on the underside of the carcass. Align these so that the outer line on the cam is facing towards the edge of the carcass. Using 2x fitting (A) fix through the side of the carcass into the leg frame. Repeat steps 2 and 3 for both legs.



4

Mount drawer by pulling out rails from inside the carcass, ensure tabs shown in step 5 are released on both rails. Slide drawer onto rails ensuring it is pushed to the back, align holes on underside of drawer with pins on rails.



5

Secure drawer in place by pushing tabs on the inside of the rails inwards to lock the rail into the drawer.

